



142-PD80

Edgeband Trimmer for an ABS Tape

Operating instructions



Distributor:

IGM nástroje a stroje s.r.o.
Ke Kopanině 560, 252 67, Tuchoměřice
Czech Republic, EU
Phone: +420 220 950 910
E-mail: sales@igmtools.com
Website: www.igmtools.com

2022-07-12

142-PD80 IGM Edgeband Trimmer for an ABS Tape Manual EN v2.2.00 A4ob



Operating instructions EN

Thoroughly read this manual and follow the safety instructions provided!
Technical changes and typographical errors reserved!

Dear customer,

This manual contains important information and instructions for installation and proper use of the rounding-chamfering router PD80.

This manual is part of the machine and is therefore not advisable to store it anywhere else than in the vicinity of the machine so you or other persons operating the machine can consult it at any time.

Please read and follow the safety instructions!



Before the first use of the machine, please read this manual. It will make your work easier and you can simultaneously reduce the risk of any mistakes, damage to the machine or personal injury. The design, construction, images or content may slightly differ due to continuous development. Should you discover any errors in the manual, please tell us about them at: podpora@igm.cz.

CONTENTS	PAGE		
1. DECLARATION OF CONFORMITY	2	5.4 Dust extraction	5
2. WARRANTY SERVICE	3	6. PREPARATION FOR OPERATION	5
3. SAFETY	3	6.1 Assembly of the Trimmer	5
3.1 Instructions	3	6.2 Adjusting the bearing stop	6
3.2 General safety instructions	3	6.3 Calibrating the trimming depth	6
3.3 Risks	4	7. OPERATION	6
4. TECHNICAL SPECIFICATION	4	7.1 Trimming of wide tape on the edge	6
4.1 Machine Description	4	7.2 Trimming a radius on the edge	6
4.2 Technical parameters	4	7.3 Finishing an edge with a Radius Scraper	7
4.3 Supplied with	4	7.4 Trimming with a chamfer bit	7
5. TRANSPORT, UNPACKING AND ASSEMBLY	4	8. MAINTENANCE AND CONTROL	7
5.1 Transport and Unpacking	4	8.1 Maintenance after work	7
5.2 Assembly (compilation)	4	9. MALFUNCTION ASSISTANCE	7
5.3 Connection to power	5	10. ENVIRONMENTAL PROTECTION	7
		11. OPTIONAL ACCESSORIES	7

1. DECLARATION OF CONFORMITY

The undersigned: IGM nástroje a stroje s.r.o.

Address: Ke Kopanině 560

Tuchoměřice, Praha-západ, PSČ 252 67

Czech Republic, EU

Tel. +420 220 950 910

Certifies

Product: Edgeband Trimmer

Model: **PD80**

Manufacturer: CO-MATIC Machinery Co., Ltd., No. 473-16,

San Feng Road, Houli District, Taichung

City, Taiwan, R.O.C. 42156

We declare on our sole responsibility that the product described in this manual is in compliance with the following Standards: EN ISO 12100, EN ISO 13857, EN 349, EN 953, EN 60204-1, EN ISO 11202, EN 55014-1, EN 55014-2 according to the provisions of Directives 2006/42/EC, 2004/108/EC, 2006/95/EC, 2002/95/EC.

Signed: Ivo Mlej
Manager



2. WARRANTY SERVICE

Warranty is governed by the Terms and Conditions and Warranty conditions of the company IGM tools and machines Ltd. The version of which is available at www.igmtools.com.

3. SAFETY

3.1 Instructions

This machine is intended for work with wood and wooden materials.

To use the machine properly, adhere to the rules of operation and maintenance, described in this manual.

The machine can only be operated by individuals who are familiar with its operation and maintenance and are aware of potential risks.

Comply with the minimum age requirement set out by law.

The machine can only be used in perfect technical condition.

All security and safety features must be installed, when in use.

Besides the operating manual, make sure to also follow the safety guidelines and specific regulations set out by your country and generally recognized technical rules regarding operation of woodworking power tools.

The manufacturer or the supplier will not be held responsible in case of improper use.
Risks are borne by users.

Should any of these points occur, warranty claims cannot be applied:

- Unsuitable working environment: high humidity, squalor.
- Damage caused by improper installation of the tool or incorrect storage.
- Using a malfunctioning machine.
- Failure to comply with the manual: transport, storage, installation, operation, cleaning and maintenance of the power tool.
- Using unauthorized spare parts.
- Unauthorized assembly of the machine.
- Never use worn parts.

3.2 General safety instructions

Power tool may be dangerous when mishandled
Thoroughly read the operating manual and make sure you understand everything before you start any work on the power tool.

Protect this power tool from dirt and moisture and

when selling the power tool make sure to hand it to the new owner.

Any changes or rebuilding of the machine is not allowed.

Daily, before starting work, make sure the machine and its protection features are functioning. Replace any identified insufficiencies or faulty safety features.
Turn on the power tool only if it is in perfect technical condition.

Protect long hair with a hat or a hairnet.

Wear tight-fitting clothing and put aside any bracelets, rings, necklaces or a tie. Wear work shoes only. Do not wear casual shoes or sandals in any case.

Follow the personal protection regulations.

Always wear safety goggles. Always use hearing protection. Make sure you have enough work space.
Do not perform any operations for which this machine is not intended for.

Secure proper lighting. Make sure that the power cord is not in the way of your work.

Keep the work area clean. Never touch the power tool's moving parts when working.

Be attentive and concentrated. Work with reason. Never work under the influence of intoxicating agents, such as alcohol or drugs.

Be attentive to the movement of children around a running machine. Never leave the machine running without supervision. When leaving your workspace, always turn the power tool off. Only an electrician may repair damaged electrical connections. Immediately replace a damaged cable.

Before connecting to power, make sure the switch is in the 'OFF' position (turned off).

Do not use the machine if the switch ON-OFF is malfunctioning.

Using other accessories than those recommended in this manual can be dangerous.

Make sure the cable is long enough, is not too tense or does not fold over an edge.

Operating instructions EN

3.3 Risks

Even when using the trimmer according to the manual, there is still some danger.

Danger of a rotating tool. Watch out for cloths or hair getting stuck.

The tool is sharp, watch out so you do not cut yourself. Use gloves.

Danger of flying particles. Wear eye protection and a respirator.

4. TECHNICAL SPECIFICATION

4.1 Machine Description

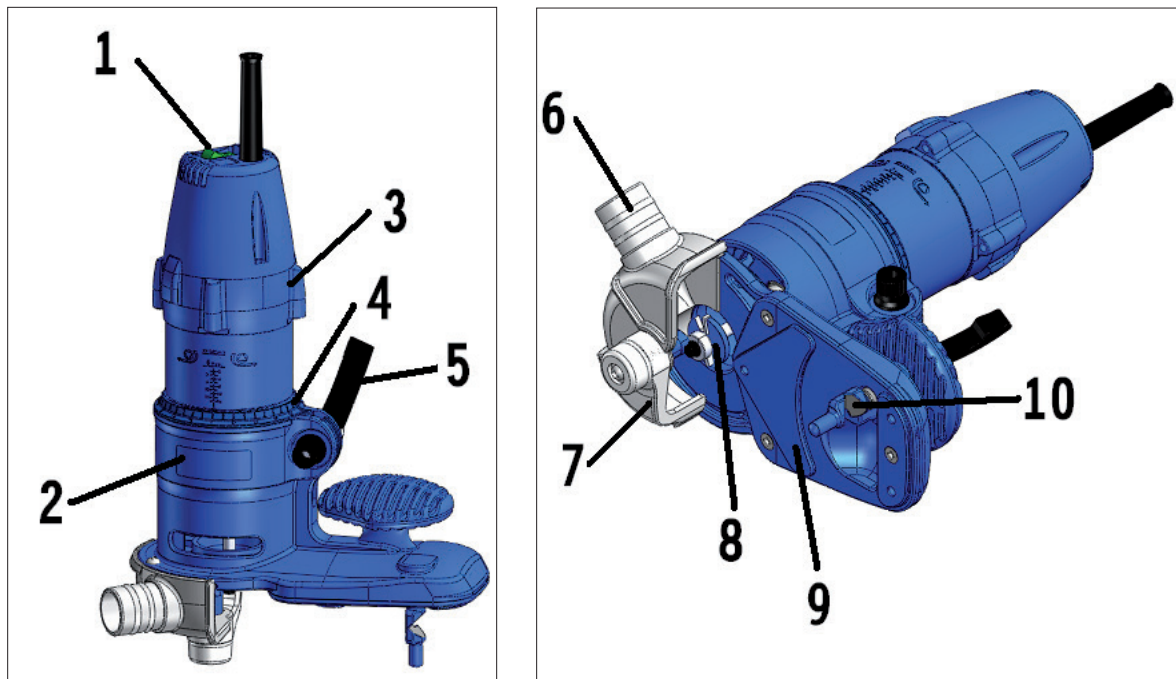


fig. 1

1 Main Switch

2 Machine Housing

3 Motor

4 Calibration

5 Quick Release

6 Dust Extraction Outlet

7 Safety Cover

8 Router Bit/Cutter

9 Bottom Cover

10 Radius Scraper

4.2 Technical parameters

Power	450W / 230V
Speed	30 000/rpm.
Router Height setting	16mm
Collet	6mm
Weight	2kg

4.3 Supplied with

Edgeband Trimmer
Plastic Case
Wrenches 13 and 22 mm
Collet 6mm
Radius Scraper
Router Bit R2 mm, S6 mm

5. TRANSPORT, UNPACKING AND ASSEMBLY

5.1 Transport and Unpacking

Make sure there is no apparent damage caused by transport, which could have caused damage to the machine or your health.

5.2 Assembly (compilation)

The machine is supplied assembled. Should you discover any defects while unpacking, contact your supplier and do not use it.

5.3 Connection to power

Before connecting the machine to electricity network, make sure that the main switch is in the '0' OFF (turned off) position.

The plug, as well as the cable must meet standards. Line voltage must be consistent with the label on the power tool. Wiring and repairs of electrical parts may be carried out only by a qualified electrician.

5.4 Dust Extraction

The trimmer has to be connected to an industrial dust extractor before use. To connect, use the extraction outlet (Note 6) Use a 25,4mm diameter hose. Some shavings may be charged with static electricity and remain "stuck" to material or power tool.

We recommend using a 2,5m³/s suction power. Turn on the exhaustion before starting the machine

6. PREPARATION FOR OPERATION

Before operation, make sure the workpiece is firmly stationed.

Connect the dust extraction to the outlet.

Check if the rotation of the power tool does not exceed the limit of the router bit.

6.1 Assembly of the Trimmer

First separate the motor and the trimmer. Completely unscrew the quick release lever and remove it. Now, by pulling down you can remove the motor from the trimmer.

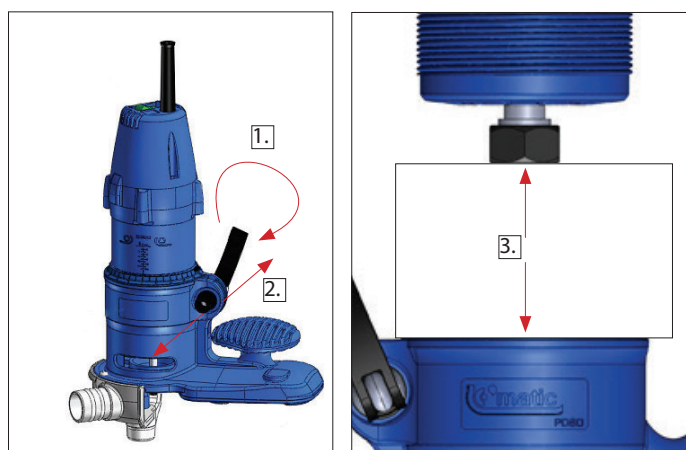


fig. 2

Select the adequate tool for trimming. Use 22mm and 13mm wrenches to release the hex nut (fig.3). Based on the selected router/cutter, choose a suitable collet (6mm or 8mm). Make sure the collet and router bit are clean and are not damaged. Now affix it to the power tool (fig.4). Make sure the router bit is correctly placed into the collet and is sufficiently pushed in according to

the mark on the arbor. Improper assembly may cause danger in the form of vibration, or tool release. Do not tighten the union bit, if the router bit is not inserted, you will prevent damage to the collet. Use 22mm and 13mm wrenches to tighten the hex nut and make sure it is thoroughly affixed (fig.5).



fig. 3

fig. 4

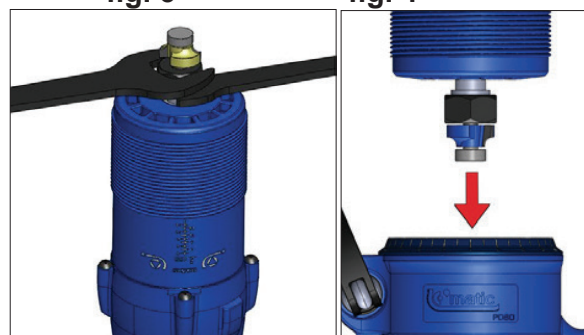


fig. 5

fig. 6

When the bit is installed, re-insert the support table onto the motor in the arrow direction (fig.6). Put back the quick release lever and tighten the nut. Adjust the height of the supporting table on the body of the motor (fig.7). Tighten the quick release lever in the arrow direction (fig.8). to lock it. The supplied R2 radius router bit is ideal for a 2mm edge. The router bit radius should match the thickness of the edge.

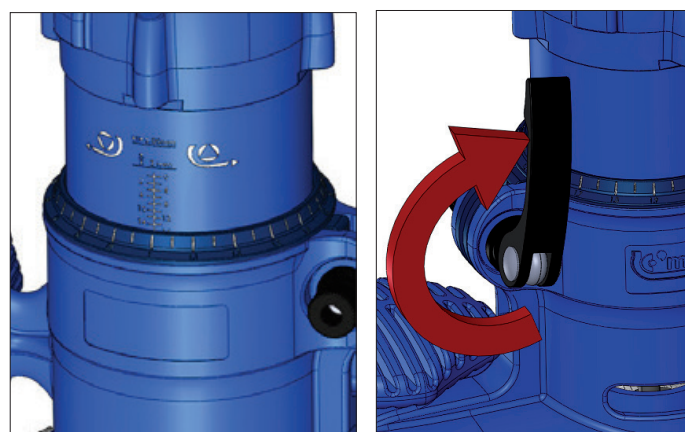


fig. 7

fig. 8

Operating instructions EN

6.2 Adjusting the bearing stop

Push the pin upwards and rotate it in the arrow direction (fig.9 and fig.10). Once the pin is pushed into the plastic housing, it does not fulfill its function as a stop for the bit's bearing. When the pin is lowered back, it rests on the bearing. After starting the trimmer, the bearing will not spin together with the machine. This way, you will prevent burning of the workpiece with the spinning bearing.

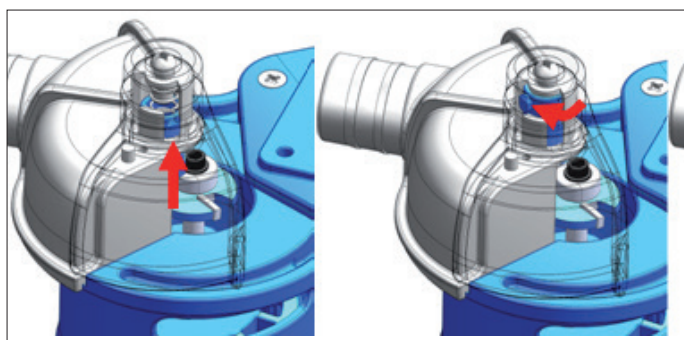


fig. 9

fig. 10

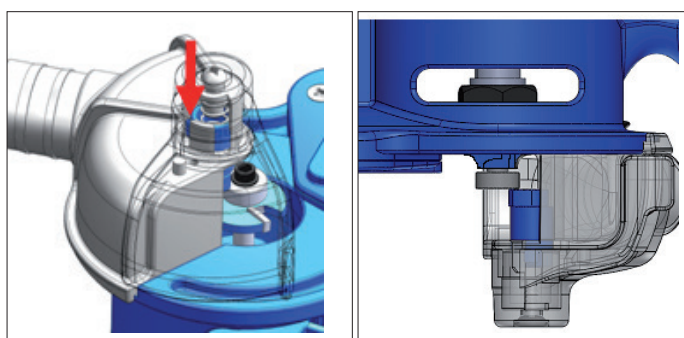


fig. 11

6.3 Calibrating the trimming depth

The supporting table sleeve can be rotated in both directions to achieve the desired trimming depth (fig.12). One notch around the perimeter is 0,05mm. When rotated by 360° it shifts by 2mm (on notch on the vertical scale). Set the depth, so that the edge is beyond the workpiece by tenths of a millimeter. You can later align this discrepancy with the radius scraper. This overlap secures that the router does not damage your workpiece.



fig. 12

7. OPERATION

Turn the trimmer on by placing the switch in the ON "1" position. Hold it firmly with both hands by the handles. Move the trimmer along the board to trim edges. To turn it off, by placing the switch into an OFF "0" position.

7.1 Trimming of wide tape on the edge

To trim a wider excess ABS edge (overlap more than 3mm) place the trimmer horizontally (fig.18 and 19.)

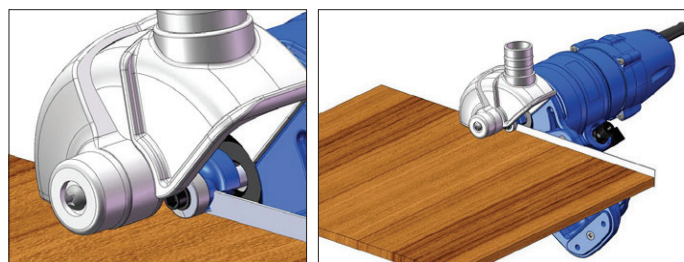


fig. 18

fig. 19

7.2 Trimming a radius on the edge

To square up a banded edge, affix a router bit into the trimmer. Move the trimmer into operational position, align the trimmer with the material to allow for a smooth drive into the material. Lead the router bit with the help of a supporting table along the workpiece as depicted in the red highlighted area (fig.16). Now you can start trimming the edge (fig.17)

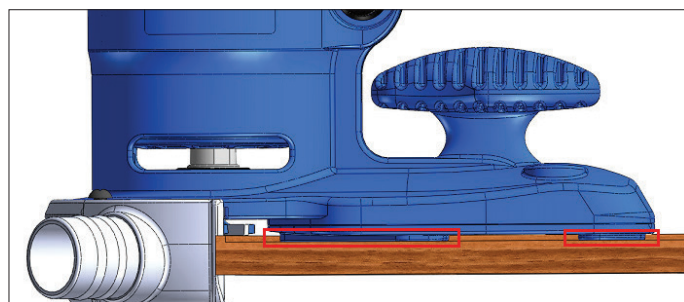


fig. 16

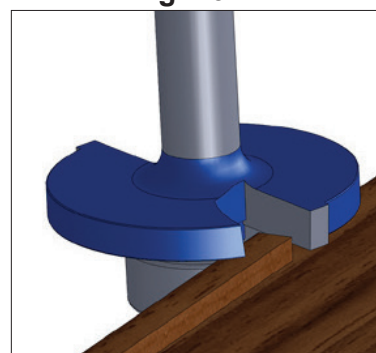


fig. 17

7.3 Finishing an edge with a Radius Scraper

For finishing an edge – cut off the excess edge after trimming. Pull out the Radius Scraper by tipping and then pulling it out (fig.13) and (fig.14). Grab the scraper with both hands for better support when trimming edges (fig.15).

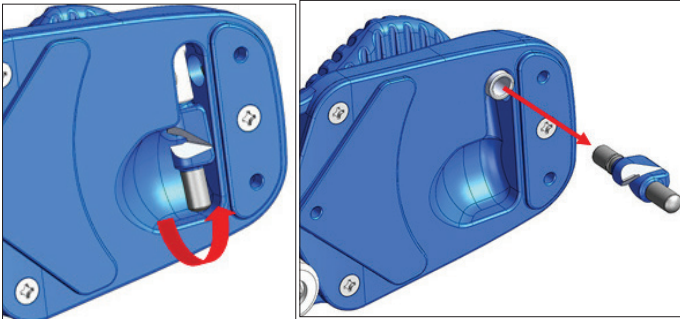


fig. 13

fig. 14

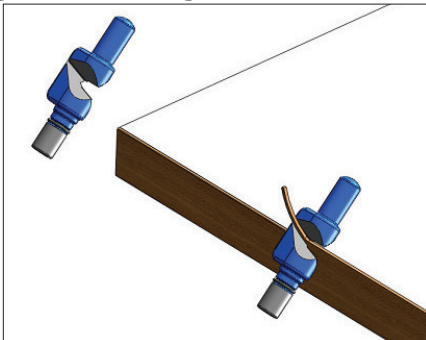


fig. 15

7.4 Trimming with a chamfer bit

The radial router bit can be exchanged for a chamfer bit. Set the depth of trimming according to previous steps. – maximum depth 2mm and maximum stroke 6 mm.

8. MAINTENANCE AND CONTROL

Before attempting to inspect or maintain the trimmer, always make sure it is turned off and unplugged

8.1 Maintenance after work

After work, clean the machine from impurities. Especially make sure that the motor vents are not clogged up. To unplug the vents, use a brush with soft bristles or compressed air.

Carbon brush replacement

If the machine excessively sparkles and is losing performance a carbon brush replacement is needed. To maintain SAFETY and RELIABILITY of the product, all repairs and any other maintenance must be carried out by an authorized IGM service center and with the use of original spare parts.

9. MALFUNCTION ASSISTANCE

The Motor does not start

- * There is no power – check power supply and fuse
- * Motor, switch, cable failure – contact the supplier
- * Worn carbon brushes – see carbon brush replacement

Excessive vibrations

- * Router bit is badly affixed – Reaffix it again

The cut is not clean

- * Blunt instrument – use a sharper bit

10. ENVIRONMENTAL PROTECTION

Protect the environment. Your device contains recyclable materials. Please leave it to specialized institutions.

11. OPTIONAL ACCESSORIES

Collet 8mm

code: 142-PD80-080



IGM End trimmer for shaped and straight panels

code: M951



IGM Vacuum Clamp One-sided

code: M964



Operating instructions EN

IGM Worktable for edgebander and trimmer for
DR500-BR300
code: 142-ST95A



IGM Straightline edgebanding and trimming kit for
worktable
code: 142-ST97

